

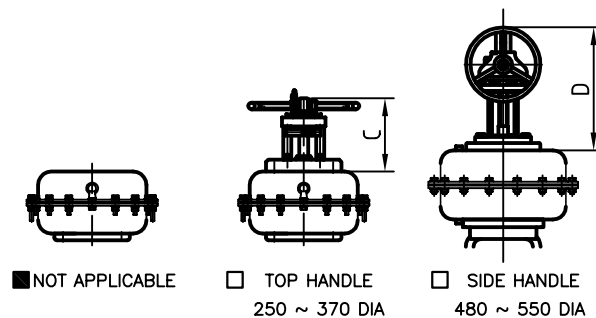
Dimension Table Unit:mm

Body Size	L			H1	
	10K 150 LB	20K 300 LB	JIS 40K 800 LB	STD	EXT
<input type="checkbox"/> 1/2" (15A)	184	190	203	100	200
<input type="checkbox"/> 3/4" (20A)	184	194	206	124	224
<input checked="" type="checkbox"/> 1" (25A)	184	197	210	124	224
<input type="checkbox"/> 1 1/4" (32A)	222	235	251	145	245
<input type="checkbox"/> 1 1/2" (40A)	222	235	251	145	245
<input type="checkbox"/> 2" (50A)	254	267	286	156	256
<input checked="" type="checkbox"/> 3" (80A)	298	318	337	204	304
<input type="checkbox"/> 4" (100A)	352	368	394	235	335
<input type="checkbox"/> 6" (150A)	451	473	508	323	392
<input type="checkbox"/> 8" (200A)	543	568	610	380	450
<input type="checkbox"/> 10" (250A)	673	708	752	424	510

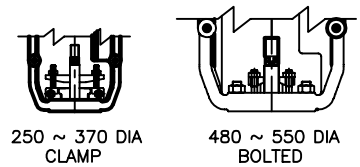
Actuator Dimension Unit:mm

Model No.	ØE	H2	C	D
<input checked="" type="checkbox"/> 250 Dia.	252	333	133	-
<input type="checkbox"/> 290 Dia.	292	372	215	-
<input checked="" type="checkbox"/> 370 Dia.	374	412	215	-
<input type="checkbox"/> 370L Dia.	374	442	215	-
<input type="checkbox"/> 480 Dia.	482	630	-	481
<input type="checkbox"/> 550 Dia.	554	678	-	501
<input type="checkbox"/> 550L Dia.	554	718	-	501

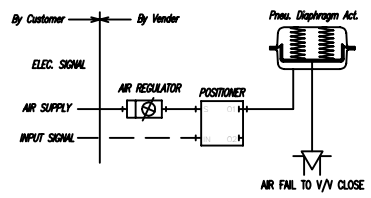
ACTUATOR TYPE



VALVE BONNET FIX TYPE



PNEUMATIC SCHEMATIC DIAGRAM



SPECIFICATIONS

MATERIAL	SCPH2	SCS 13	SCS 14
BODY	<input type="checkbox"/>	<input checked="" type="checkbox"/>	<input type="checkbox"/>
	<input type="checkbox"/> SCS 16	<input type="checkbox"/> SCS 19	<input type="checkbox"/>
SEAT RING	<input checked="" type="checkbox"/> 304 SS	<input type="checkbox"/> 316 SS	<input type="checkbox"/> 316 SS + STL
	<input type="checkbox"/> 316 SS + TFE	<input type="checkbox"/> 316L SS	<input type="checkbox"/> 410 SS + H.T
RETAINER & CAGE	<input checked="" type="checkbox"/> 304 SS	<input type="checkbox"/> 316 SS	<input type="checkbox"/> 410 SS + H.T
PLUG	<input checked="" type="checkbox"/> 304 SS	<input type="checkbox"/> 316 SS	<input type="checkbox"/> 316 SS + STL
	<input type="checkbox"/> 316L SS	<input type="checkbox"/> 316L SS + STL	<input type="checkbox"/> 410 SS + H.T
STEM	<input checked="" type="checkbox"/> 304 SS	<input type="checkbox"/> 316 SS	<input type="checkbox"/> 410 SS + H.T
BALANCE SEAL	<input type="checkbox"/> EPDM	<input type="checkbox"/> VITON	<input type="checkbox"/> 316+TFE
	<input type="checkbox"/> CARBON	<input type="checkbox"/> GRAPHITE	<input checked="" type="checkbox"/> N/A
PACKING	<input checked="" type="checkbox"/> V-PTFE	<input type="checkbox"/> GRAPHITE	<input type="checkbox"/>
GASKET	<input checked="" type="checkbox"/> 316 + TFE	<input type="checkbox"/> 316 + GRAP.	<input type="checkbox"/>
ACCESSORY	<input checked="" type="checkbox"/> AIR SET <input checked="" type="checkbox"/> POSITIONER <input type="checkbox"/> SOL. V/V <input type="checkbox"/> LIMIT SWITCH : <input type="checkbox"/> OPEN <input type="checkbox"/> CLOSE <input type="checkbox"/> VOLUME BOOSTER <input type="checkbox"/> AIR OPERATOR VALVE <input type="checkbox"/> LOCK-UP V/V <input type="checkbox"/> SPEED CONTROLLER <input type="checkbox"/> QUICK EXH. VALVE		
FAILURE MODE	<input checked="" type="checkbox"/> CLOSE	<input type="checkbox"/> OPEN	<input type="checkbox"/> LAST

Description Of Valve Design

Specification Required	ASME B 16.34
Type of Valve	2-Way Globe Valve
Valve Nominal Size	See Table
Valve Pressure Class	See Table
End Connection Type	RF Flanged
End to End Dimension	ISA S75.08.01
Flange Dimension	JIS B 2202
Design Temperature	°C ~ °C
Valve Operating	Pneumatic Diaphragm
Failure Mode	Valve Close
Date	Scale
Drawing No.	N/S
Tag No.	
Client	

CONTROL GLOBE VALVE

MEGATEC