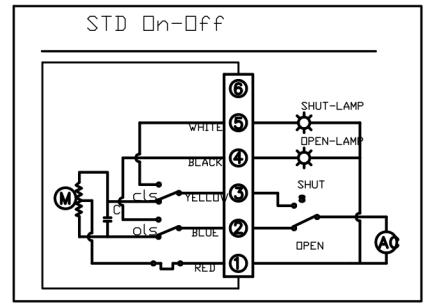
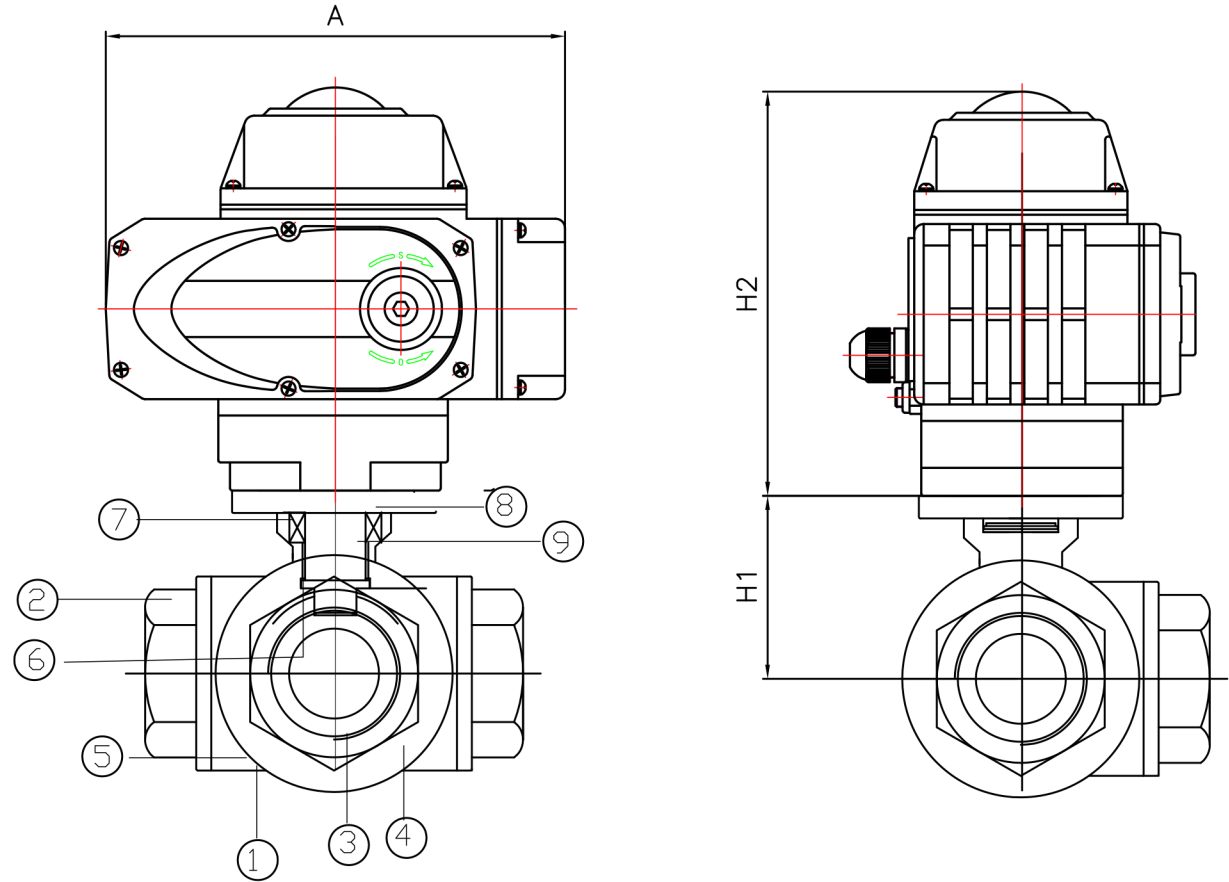
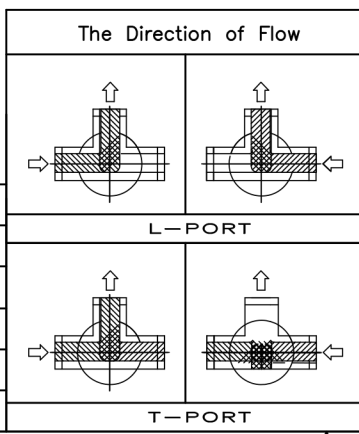


| | | | | | |
|----------|------|-----------------|------|------|------|
| REV. NO. | DATE | REVISION RECORD | DRA. | CHK. | APR. |
| △ | | | | | |
| △ | | | | | |



| 11 | LIMIT S/W | - | 1 | |
|-----|----------------|----------|------|---------|
| 10 | ACTUATOR | - | 1 | |
| 9 | STEM | STS304 | 1 | |
| 8 | GLAND | STS304 | 1 | |
| 7 | SPRING | STS304 | 1 | |
| 6 | BACK SEAT RING | TEFLON | 1 | |
| 5 | GASKET | TEFLON | - | |
| 4 | SEAT | P.T.F.E. | 6 | |
| 3 | BALL | SCS13/14 | 1 | |
| 2 | CAP | SCS13/14 | 3 | |
| 1 | BODY | SCS13/14 | 1 | |
| NO. | DESCRIPTION | MATERIAL | Q'TY | REMARKS |



(UNIT : mm)

| SIZE | DIMENSION | | | | | MODEL |
|------|-----------|-----|----|-----|-----|-------|
| | d | L | H1 | H2 | A | |
| 15A | 15 | 72 | 42 | 151 | 160 | KT-05 |
| 20A | 20 | 85 | 49 | 151 | 160 | KT-05 |
| 25A | 25 | 100 | 55 | 151 | 160 | KT-05 |
| 32A | 32 | 113 | 63 | 151 | 160 | KT-05 |
| 40A | 40 | 125 | 74 | 151 | 160 | KT-05 |
| 50A | 50 | 150 | 93 | 170 | 196 | KT-10 |

| * ACTUATOR SPECIFICATION | |
|-------------------------------|------------------------|
| ELECTRICAL | AC 110V,220V,380,DC24V |
| ROTATING ANGLE | 90° (-3° ~ +_ 95°) |
| OPERATING TYPE | ON/OFF,MODULATING |
| SERVICE TEMPERATURE | -20°C ~ +80°C |
| OPERATING TIME (CLOSE → OPEN) | 15~30SEC |
| MANUAL OVERRIDE | YES |

| | | | |
|----------------|---------|-----------------------------------|---------------|
| PROJECT NAME | | | |
| MEGATEC | | | |
| SCALE | N.S. | ELECTRIC ON-OFF 3WAY BALL V/V | |
| DRAWN BY | T.K.KIM | (JIS 10Kg PT SCR'D/P.T.F.E. SEAT) | |
| APPROVED BY | T.K.KIM | DATE | DRAWING NO. |
| | | 2017. 02. 16. | MOV17-0216-01 |
| | | REV. NO. | A |