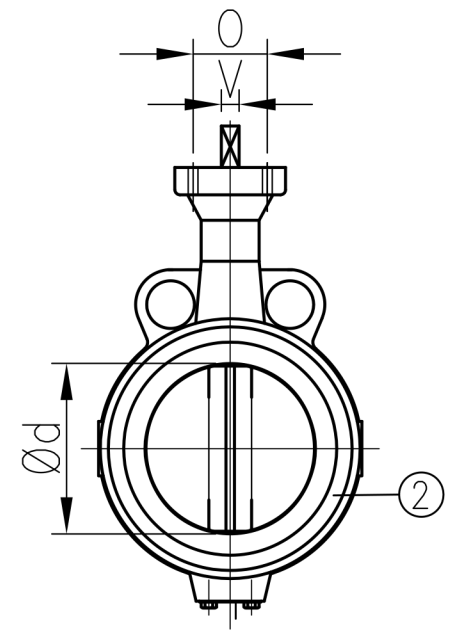
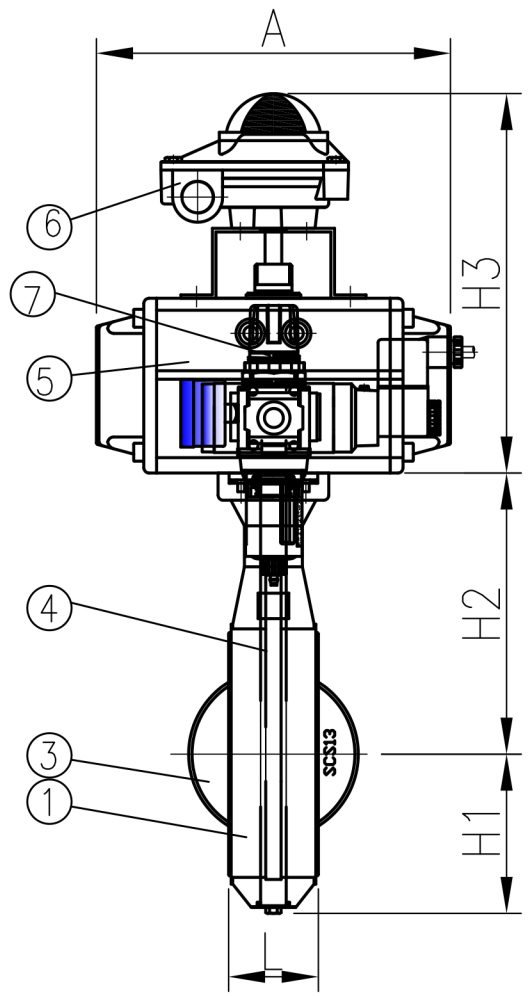
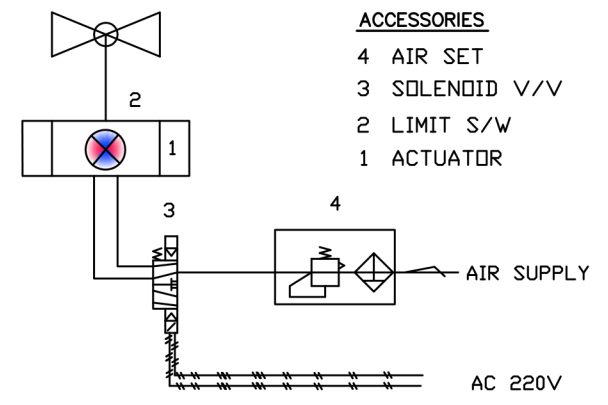


REV. NO	DATE	REVISION RECORD	DR	CK	APP
△					
△					

FOR APPROVAL



INSTALLATION SCHEMATIC



- ACCESSORIES**
- 4 AIR SET
  - 3 SOLENOID V/V
  - 2 LIMIT S/W
  - 1 ACTUATOR

\* ACTUATOR SPECIFICATION

OPERATING MEDIUM	COMPRESSED DRY AIR
STANDARD OPERATING PRESSURE	5Kg/CM2
OPERATING PRESSURE RANGE	4 ~ 7 Kg/CM2
OPERATING ANGLE	90° (0° ~ +95°)
OPERATING TIME (CLOSE ↔ OPEN)	MAXIMUM 30 SECOND (SPEED CONTROL)
SERVICE TEMPERATURE	20°C ~ +80°C

(UNIT : mm)

SIZE	DIMENSION								Model
	d	A	H1	H2	H3	L	V	O	
50A	55	163	75	165	185	43	11	F05/07	AT-63
65A	65	163	80	170	185	46	11	F05/07	AT-63
80A	80	214	95	190	202	46	11	F07	AT-75
100A	100	252	110	205	215	52	11	F07	AT-88
125A	125	270	125	250	227	56	14	F07	AT-100
150A	150	316	145	240	175	56	14	F07	AT-115
200A	200	354	175	265	187	60	17	F07	AT-125
250A	100	418	210	315	206	68	17	F10	AT-145

NO.	DESCRIPTION	MATERIAL	Q'TY	REMARKS
8	SOLENOID VALVE	AL	1	AC 220V
7	AIR SET	PP	1	
6	LIMIT S/W	AL	1	
5	ACTUATOR	AL	1	
4	STEM	SCS13	1	
3	DISC	SCS13	1	
2	SEAT	EPDM	1	
1	BODY	FC	1	

PROJECT NAME  
—

MEGATEC

PNEUMATIC ON-OFF BUTTERFLY V/V  
(JIS 10Kg WAFER TYPE)

SCALE	N. S.	DATE	DRAWING NO.	REV. NO.
DRAWN BY	T.K.KIM	2017. 03. 17.	MGT17-0317-01	0
APPROVED BY	T.K.KIM			